

Angular Contact Ball Bearings

Bearing No. : **NACHI 7218CDB**

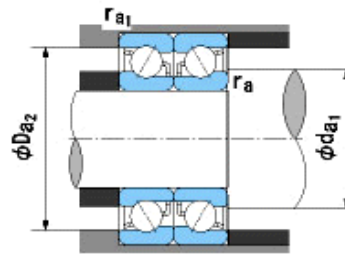
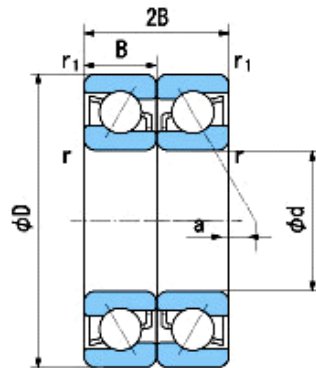
■ Bearing Type

■ Clearance

■ Tolerance Class

Dimensions

d = 90 0
-0.020
D = 160 0
-0.025
B = 30 0
0.000
r = 2~3.5
(Radial Direction)
r = 2~5
(Axial Direction)
r1 = 1~1.9
(Radial Direction)
r1 = 1~3
(Axial Direction)
a = -0.6



Dimensions

da1(min) = 100
da2(min) = 100
Da1(max) = 150
Da2(max) = 154
ra(max) = 2
ra1(max) = 1
Mass = 4.6 kg

Basic Dynamic Load Rating Cr : **201,000** N

Basic Static Load Rating Cor : **211,000** N

Limiting Speed ;

Grease Lubrication : **5,100** min⁻¹

Oil Lubrication : **7,000** min⁻¹

| | INNER RING | OUTER RING |
|--------------------------------|--------------|--------------|
| O.D.Surface Runout with Side : | | - |
| Axial Runout with Bore : | - | - |
| Axial Runout with Raceway : | - | - |
| Width Variation : | 0.025 | 0.025 |
| Radial Runout : | 0.025 | 0.045 |